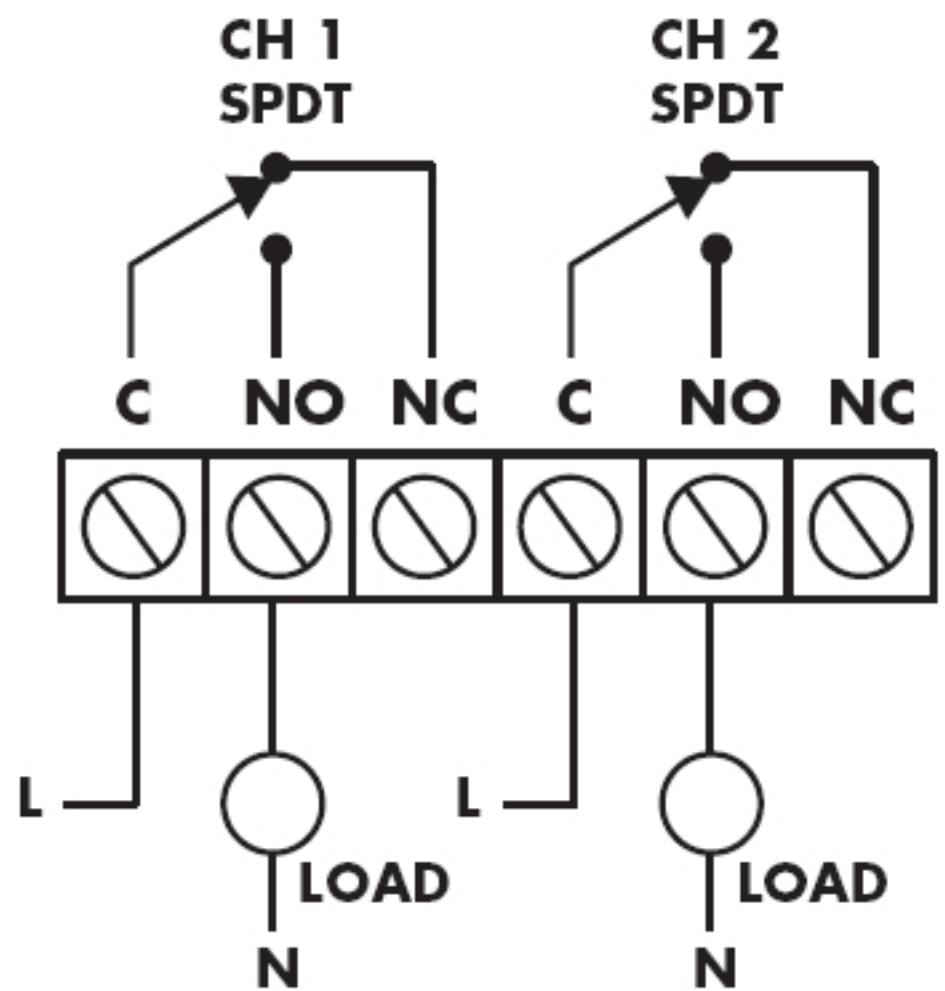
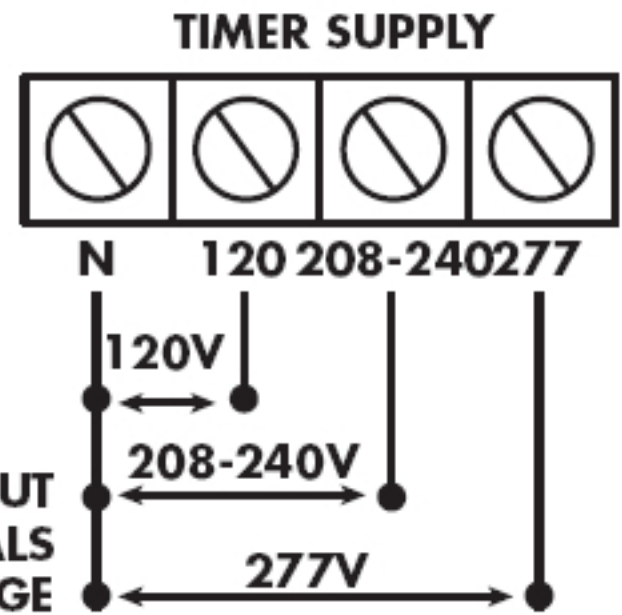


DZS200BP

AC LINE INPUT
SELECT PROPER TERMINALS
AND APPLY ONLY ONE VOLTAGE



DPDT