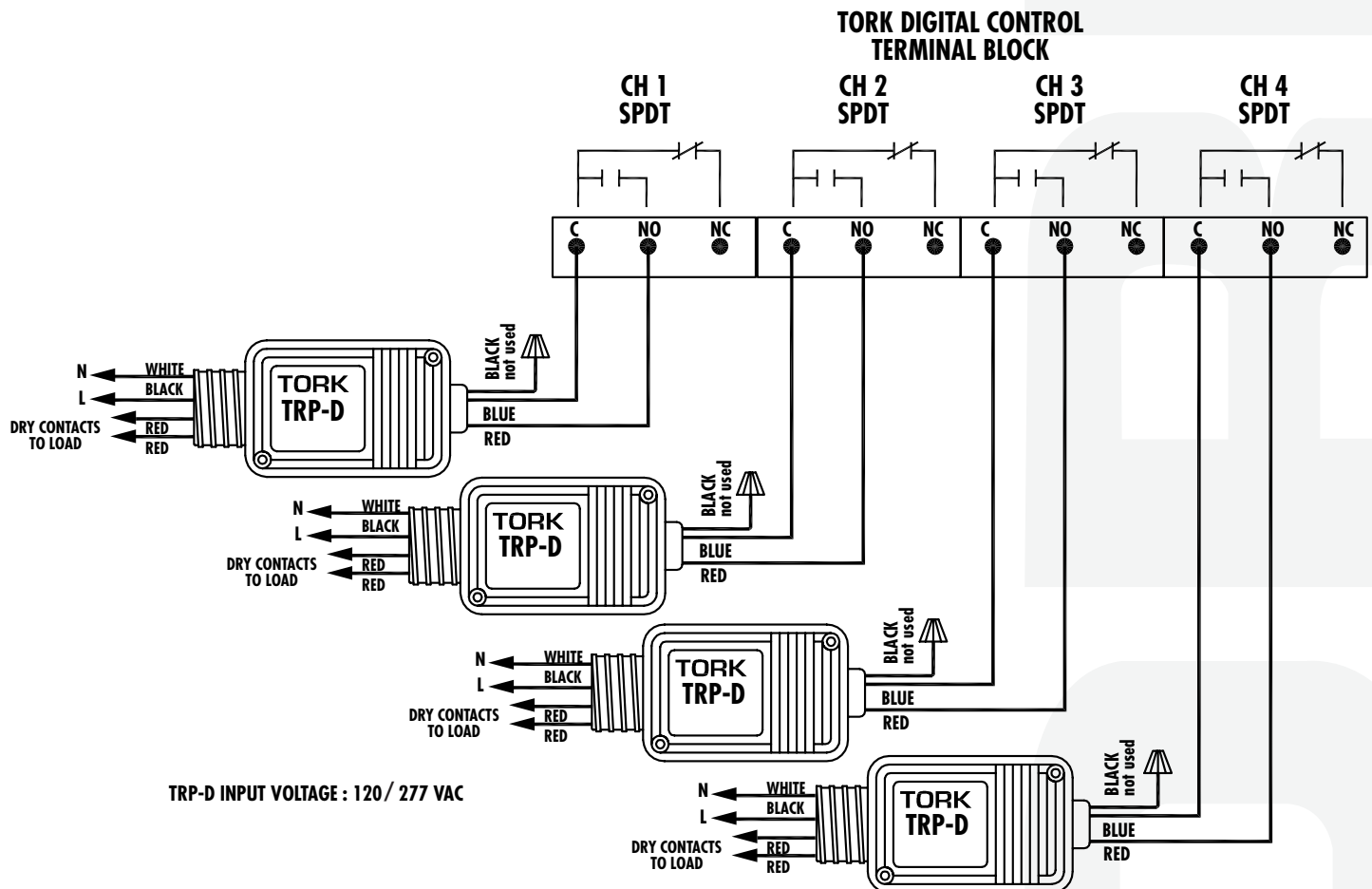


# TYPICAL WIRING WITH TRANSFORMER RELAY POWERPACK (TRP-D) FOR SWITCHING OF GREATER LOADS DRY CONTACT OUTPUT



## APPLICATIONS:

Use TORK Model TRP-D directly with TORK Digital Controls Model K400Z/K401Z/K600Z/K601Z/K800Z/K801Z (dry contact output) where switching of higher load capacity is necessary.

## SWITCH CAPACITY

- 20A Ballast
- 20A Incandescent (at 120VAC)
- 20A General Use
- 1.0HP at 120VAC

TRP-D 120VAC or 277VAC input

Use low voltage wiring between TORK Digital Control contacts and TRP-D - minimum 22 AWG, maximum length 500 feet.